

CABLE 289 RF: HIROSE U.FL PLUG + FRONT MOUNT RP SMA S/T BULKHEAD JACK WITH O-RING RATED TO IP67/68 + MULTIPLE CABLE SIZES

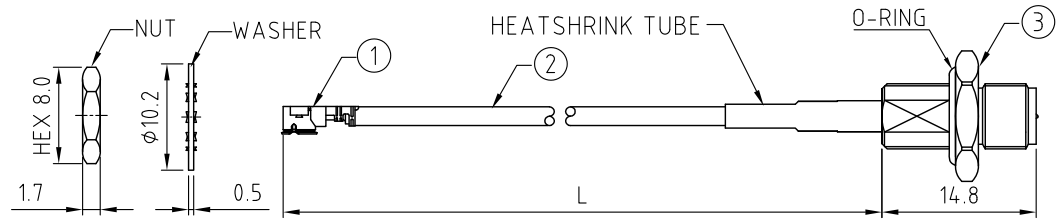
SPECIFICATIONS :

- HIROSE U.FL PLUG, P/N:
FOR $\phi 1.13\text{MM}$ CABLE: U.FL-LP-068.
FOR $\phi 1.32\text{MM DS}$ CABLE: U.FL-LP-066.
FOR $\phi 1.37\text{MM}$ CABLE: U.FL-LP-088.
- COAXIAL CABLE, SEE P/N FOR DETAIL.
- FRONT MOUNT RP SMA STRAIGHT BULKHEAD JACK WITH O-RING RATED TO IP67/68, P/N: RFCT-SMA013-F78.

USAGE PRECAUTIONS: CABLES USING 'MICRO' COAX ARE DELICATE:
 (i) HANDLE WITH CARE.
 (ii) DO NOT TWIST; APPLY EXCESSIVE FORCES OR SHARP BENDS TO THE CABLE. DO NOT FORCEFULLY DEFORM WIRES.
 (iii) CONSULT CONNECTOR MANUFACTURER'S DATASHEETS FOR DETAILED NOTES ON HANDLING INSTRUCTIONS.

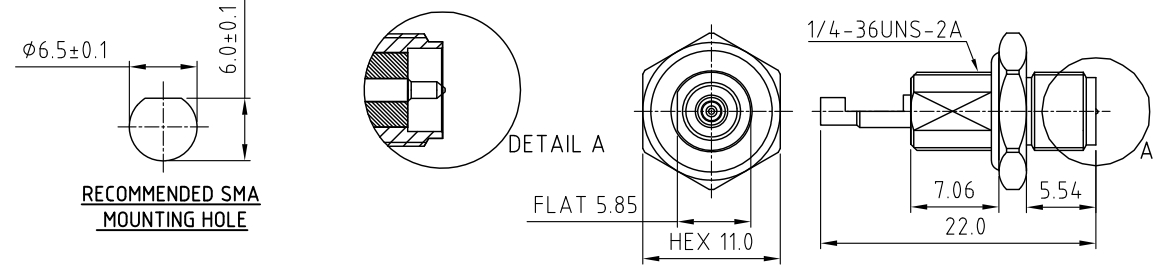
ENVIRONMENTAL:

- A. BULKHEAD MOUNTED CONNECTOR (RFCT-SMA013-F78) RATED TO THE FOLLOWING SPECIFICATION:
- IP6X - DUST TIGHT - NO PARTICLE INGRESS.
 - IPX7 WATERPROOF FOR 30 MINUTES UP TO 1 METER UNDERWATER.
 - IPX8 WATERPROOF FOR 48 HOURS AT 1 METER UNDERWATER.



NOTES:

- THE ORIENTATION OF CONNECTORS ON DRAWING IS FOR REFERENCE ONLY, IF THE ORDER IS LEFT BLANK THE CONNECTOR WILL NOT HAVE FIXED ORIENTATION.
- FIXED ORIENTATION IS SUGGESTED FOR CABLE LENGTH 25MM TO 100MM. PLEASE SPECIFY THE FIXED ORIENTATIONS FROM THE ORDER CODE (F1, F2, ETC)
- CONTACT GRADCONN IF THE ORIENTATION YOU REQUIRE IS NOT SHOWN.
- WORKING FREQUENCY RANGE: DC-3GHz.
- IT IS INTENDED THAT MOUNTING OF THIS CONNECTOR IS ACHIEVED USING THE NUT AND WASHER PROVIDED. PLEASE CONTACT GRADCONN FOR ADVISE IF PLANNING TO USE A DIFFERENT METHOD OF MOUNTING.
- IMPEDANCE: 50 OHM.
- OPERATING TEMPERATURE: -40°C TO $+85^{\circ}\text{C}$.



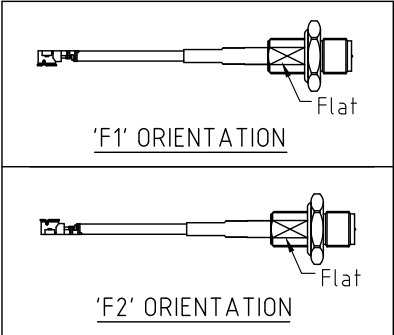
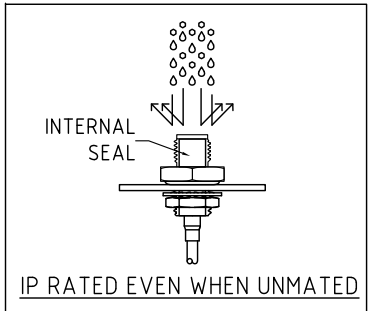
HOW TO ORDER
 CABLE 289 RF - X X X - X X - X - X

"L" LENGTH IN MM:
 eg: 100MM = 100
 (MIN. 025-MAX.400)
 STANDARD = 100, 150, 200
 Tolerance: 20-50mm: $\pm 2\text{mm}$.
 51-200mm: $\pm 5\text{mm}$.
 201-400mm: $\pm 7\text{mm}$.

CABLE SIZE OPTIONS:
 1 = $\phi 1.13\text{MM}$ CABLE, COLOR: GRAY
 2 = $\phi 1.32\text{MM DS}$ CABLE, COLOR: GRAY
 3 = $\phi 1.37\text{MM}$ CABLE, COLOR: BLACK.

WASHER AND NUT OPTIONS:
 BLANK = SEPARATELY PACKED (STANDARD)
 A = ALL ASSEMBLED WITH CONNECTOR

ORIENTATION OPTIONS:
 BLANK = DOES NOT HAVE A FIXED ORIENTATION
 F1 = U.FL CONNECTION DOWN (L=25-100MM)
 F2 = U.FL CONNECTION UP (L=25-100MM)
 (SEE NOTES 1, 2, 3 AND DIAGRAMS FOR MORE INFORMATION)



REV. DATE & DRN
 10 19/10/17 - NYW RELEASE
 11 16/10/20 - NYW
 ADD NOTE 5 NYW
 12 NEW CABLE OPTION 2 TO 1320S CABLE, 6, 7.
 ADD NOTES 6, 7.
 13 10/03/24 - CC
 ADD IP RATING VIEW

Scale: NTS	THIRD ANGLE	Unstated: .X, .XX, .XXX ANGLES	Tolerances: N/A, N/A, N/A, N/A
Drawn: CC		Title CABLE ASSEMBLY	
App'd: XXX	Date: 10 MAR. '24		
Date: 10 MAR. '24	Revision: 1.3	Unit: mm	



IP Rated RF Products
 www.gradconn.com
 THIS DRAWING IS CONFIDENTIAL AND MUST NOT BE COPIED OR DISCLOSED WITHOUT WRITTEN CONSENT

Type: Cable 289 RF
CABLE 289 RF
Drawing Number:
Sheet 1 of 1
Drawing © E and O E